

# PRODUCT DATASHEET

## L 18 W/827

LUMILUX T8 | Tubular fluorescent lamps 26 mm, with G13 bases



---

### AREAS OF APPLICATION

- Public buildings
- Office lighting
- Industry
- Shops
- Supermarkets and department stores
- Street lighting
- Outdoor applications only in suitable luminaires

---

### PRODUCT BENEFITS

- Proven lamp technology
- Good economy thanks to high efficiency
- Available in many different light colors (2,700...8,000 K) for various applications

---

### PRODUCT FEATURES

- Very good lumen maintenance: 90 % throughout the service lifetime of the lamp
- Good color rendering group: 1B ( $R_a$ : 80...89)
- Dimmable
- Top-quality three-band phosphor: LUMILUX



**TECHNICAL DATA**

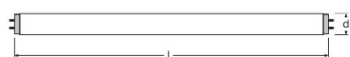
Electrical data

Nominal voltage	18.0 V
Rated lamp efficacy (HF data 25 °C)	Under clarification by authority and standardization body
Rated wattage	18.00 W
Nominal wattage	18.00 W

Photometrical data

Rated lamp efficacy (standard condition)	75 lm/W
Color rendering index Ra	≥77
Rated luminous flux	1350 lm
Luminous flux at 25 °C	1350 lm
Light color	727
Rated color temperature	2700 K
Nominal luminous flux	1350 lm
Light color (designation)	LUMILUX INTERNA
Rated LLMF at 2,000 h	0.96
Rated LLMF at 4,000 h	0.94
Rated LLMF at 6,000 h	0.93
Rated LLMF at 8,000 h	0.91
Rated LLMF at 12,000 h	0.91
Rated LLMF at 16,000 h	0.90
Rated LLMF at 20,000 h	0.89
Color temperature	2700 K
Luminous flux	1350 lm
Color rendering index Ra	≥77

Dimensions & weight



G13  
IEC 7004-51  
DIN 49653 T1

Tube diameter	26 mm
---------------	-------

<b>Length</b>	590.0 mm
<b>Length with base excl. base pins/connection</b>	590.00 mm
<b>Diameter</b>	26.0 mm
<b>Maximum diameter</b>	26.0 mm

### Temperatures & operating conditions

<b>Rated ambient temp.w.max.luminous flux</b>	25.0 °C
---	---------

### Lifespan

<b>Service life</b>	18000 h <sup>1)</sup>
<b>Lifespan</b>	20000 h <sup>1)</sup>
<b>Rated lamp survival factor at 2,000 h</b>	0.99
<b>Rated lamp survival factor at 4,000 h</b>	0.99
<b>Rated lamp survival factor at 6,000 h</b>	0.99
<b>Rated lamp survival factor at 8,000 h</b>	0.99
<b>Rated lamp survival factor at 12,000 h</b>	0.99
<b>Rated lamp survival factor at 16,000 h</b>	0.90
<b>Rated lamp survival factor at 20,000 h</b>	0.50
<b>Operation mode LLMF/LSF</b>	HF

<sup>1)</sup> With preheat ECG

### Additional product data

<b>Base (standard designation)</b>	G13
<b>Mercury content</b>	2.5 mg
<b>Show WEEE picto</b>	Yes

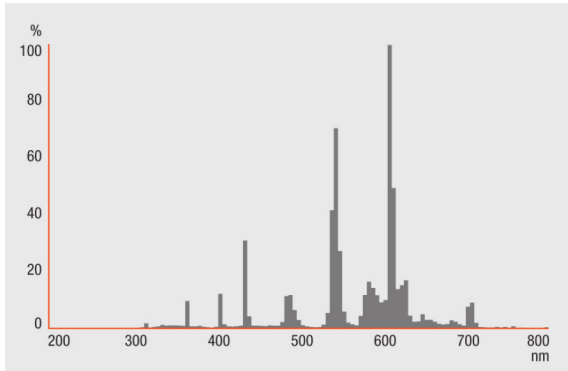
### Capabilities

<b>Dimmable</b>	Yes
<b>Suitable for indoor</b>	Yes

### Certificates & standards

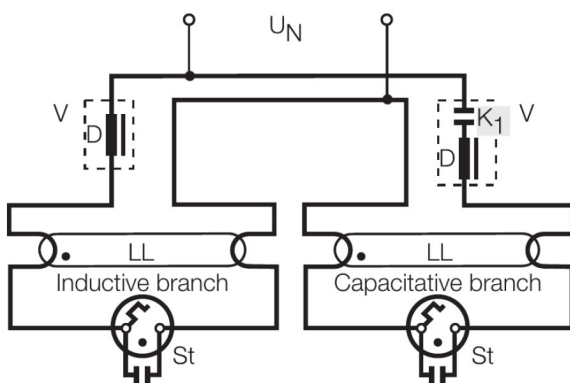
<b>Energy efficiency class</b>	A
<b>Energy consumption</b>	22 kWh/1000h

## Light Distribution



Spectral power distribution

## Wiring Diagram



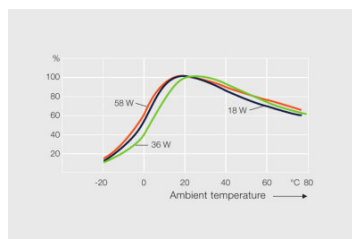
Wiring diagram

**SYSTEM GUARANTEE**

OSRAM System+ Guarantee in combination with OSRAM ECGs

**SAFETY ADVICE**

In case of lamp breakage: [www.ledvance.com/brokenlamp](http://www.ledvance.com/brokenlamp)



Others graphics

**LOGISTICAL DATA**

Product code	Packaging unit (Pieces/Unit)	Dimensions (length x width x height)	Gross weight	Volume
4050300325675	Sleeves 1	650 mm x 29 mm x 42 mm	120.00 g	0.79 dm <sup>3</sup>
4050300325682	Shipping carton box 10	677 mm x 80 mm x 177 mm	1381.40 g	9.59 dm <sup>3</sup>
4050300517834	Sleeves 1	605 mm x 27 mm x 27 mm	97.00 g	0.44 dm <sup>3</sup>
4050300517841	Shipping carton box 25	534 mm x 245 mm x 145 mm	2625.00 g	18.97 dm <sup>3</sup>

The mentioned product code describes the smallest quantity unit which can be ordered. One shipping unit can contain one or more single products. When placing an order, for the quantity please enter single or multiples of a shipping unit.

**REFERENCES / LINKS**

For more information on the system guarantee and the terms and conditions of the guarantee visit

▶ [www.ledvance.com/system-guarantee](http://www.ledvance.com/system-guarantee)

**DISCLAIMER**

Subject to change without notice. Errors and omission excepted. Always make sure to use the most recent release.

## LUMILUX T8 | Tubular fluorescent lamps 26 mm, with G13 bases

Product name	Product name ECG	EAN	Nominal current	Nominal wattage + Power loss	Luminous flux at 35 °C	Number of lighting outlets
L 18 W/827	QT 1x18 DIM	4008321645647	0.08 A	18.90 W	1350 lm	1
	QT 2x18 DIM	4008321645852	0.17 A	37.70 W	1350 lm	2
	QT-ECO 1x18-24/220-240 L	4050300660417	0.14 A	19.00 W	1250 lm	1
	QT-ECO 1x18-24/220-240 S	4050300638560	0.14 A	19.00 W	1250 lm	1
	QT-FIT 5/8 1x18-39	4008321873927	0.10 A	21.00 W	1350 lm	1
	QT-FIT 5/8 2x18-39	4008321873903	0.17 A	39.00 W	1350 lm	2
	QT-FIT8 1x18	4008321294180	0.09 A	19.00 W	1350 lm	1
	QT-FIT8 2x18	4008321294241	0.16 A	36.00 W	1350 lm	2
	QT-FIT8 3x18, 4x18	4008321294302	0.25 A	54.00 W	1350 lm	3
	QT-FIT8 3x18, 4x18	4008321294302	0.33 A	74.00 W	1350 lm	4
	QTi 1x14/24/21/39 GII	4008321383334	0.09 A	19.00 W	1350 lm	1
	QTi 1x18 DIM	4050300870601	0.08 A	19.00 W	1350 lm	1
	QTi 2x14/24/21/39 GII	4008321383396	0.17 A	37.00 W	1350 lm	2
	QTi 3x18 DIM	4008321069931	0.24 A	53.60 W	1350 lm	3
	QTi 4x18 DIM	4008321070012	0.31 A	69.30 W	1350 lm	4
	QTi DALI 1x18 DIM	4050300870403	0.08 A	18.30 W	1350 lm	1
	QTi DALI 2x18 DIM	4050300870526	0.16 A	36.50 W	1350 lm	2
	QTi DALI 3x18 DIM	4008321069979	0.24 A	53.60 W	1350 lm	3
	QTi DALI 4x18 DIM	4008321070050	0.31 A	69.30 W	1350 lm	4
	QTP-DL 1x18-24	4008321117861	0.09 A	18.00 W	1300 lm	1
	QTP-DL 2x18-24	4008321117885	0.17 A	37.00 W	1300 lm	2
	QTP-M 1x26-42	4008321329134	0.10 A	19.00 W	1350 lm	1
	QTP-M 2x26-32	4008321329158	0.17 A	36.00 W	1350 lm	2

Product name	Product name ECG	EAN	Nominal current	Nominal wattage + Power loss	Luminous flux at 35 °C	Number of lighting outlets
	QTP-OPTIMAL 1x18-40	4008321873743	0.10 A	20.00 W	1350 lm	1
	QTP-OPTIMAL 2x18-40	4008321873767	0.17 A	39.00 W	1350 lm	2
	QTz8 1x18	4008321863263	0.09 A	20.00 W	1350 lm	1
	QTz8 2x18	4008321863300	0.09 A	23.00 W	1350 lm	2
	QTz8 3x18	4008321863348	0.25 A	54.00 W	1350 lm	3
	QTz8 4x18	4008321863362	0.25 A	54.00 W	1350 lm	4

Product name	Product name ECG	EAN	EEI – Energy Label
L 18 W/827	QT 1x18 DIM	4008321645647	
	QT 2x18 DIM	4008321645852	
	QT-ECO 1x18-24/220-240 L	4050300660417	
	QT-ECO 1x18-24/220-240 S	4050300638560	A2
	QT-FIT 5/8 1x18-39	4008321873927	
	QT-FIT 5/8 2x18-39	4008321873903	
	QT-FIT8 1x18	4008321294180	
	QT-FIT8 2x18	4008321294241	
	QT-FIT8 3x18, 4x18	4008321294302	
	QT-FIT8 3x18, 4x18	4008321294302	
	QTi 1x14/24/21/39 GII	4008321383334	
	QTi 1x18 DIM	4050300870601	
	QTi 2x14/24/21/39 GII	4008321383396	
	QTi 3x18 DIM	4008321069931	
	QTi 4x18 DIM	4008321070012	
	QTi DALI 1x18 DIM	4050300870403	
	QTi DALI 2x18 DIM	4050300870526	
	QTi DALI 3x18 DIM	4008321069979	
	QTi DALI 4x18 DIM	4008321070050	
	QTP-DL 1x18-24	4008321117861	

Product name	Product name ECG	EAN	EEI – Energy Label
	QTP-DL 2x18-24	4008321117885	
	QTP-M 1x26-42	4008321329134	
	QTP-M 2x26-32	4008321329158	
	QTP-OPTIMAL 1x18-40	4008321873743	
	QTP-OPTIMAL 2x18-40	4008321873767	
	QTz8 1x18	4008321863263	
	QTz8 2x18	4008321863300	
	QTz8 3x18	4008321863348	
	QTz8 4x18	4008321863362	